



## LED MODULES

# SA G-Side 1 LED 4W 24V Series

### Features

- Adopt genesis featured with high brightness, uniform and good antistatic ect;
- Half packed injection process with ABS, Fireproof rating UL94V-0 and IP rating IP65.
- Constant current ( Non-DALI Compatible).
- Optical lens design, 15° x 45° angle beam and aluminum PCB with high conductivity
- Cutable every 1 LEDs (DC12V), Cutable every 2 LEDs (DC24V)
- 5 Years Warranty

### Specification

Item Code	Power(V)	Luminous Flux(lm)	Current Dissipation(A)	CCT
SA 8261 <b>G3</b>	DC24V	360	0.166	6500K

### Technical Characteristics

Power Consumption	4W/M
Efficiency	90lm/W
IP Rating	IP65
View Angle	15° x 45°
Colour	Pure white
CRI (Ra)	70+
Lens	SAN, UL-94, V-0
Case	ABS, UL-94, V-0
Lead Wire	AWG 18
Cutable Length	Cutable every 2 LEDs

### Certification

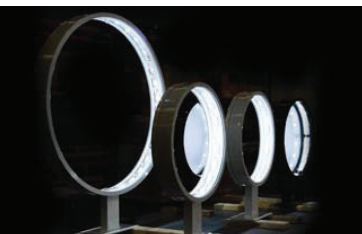


### Temperature Ranges

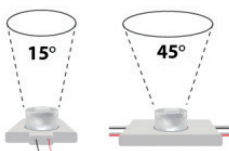
Operating temperature	-25~55°
Storage temperature	-25~70°

### Warranty

Warranty	5 Years
----------	---------



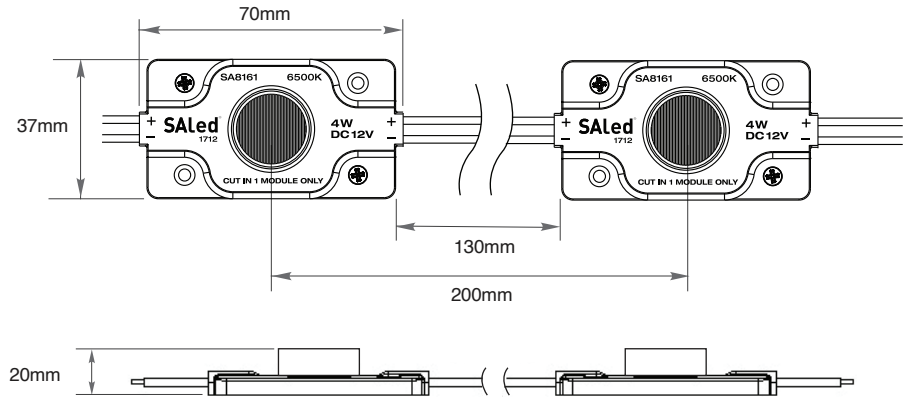
Angle Beam



## Physical Characteristics

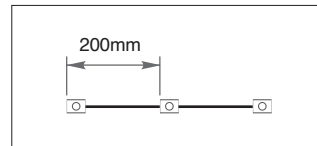
Dimensions(L*W*H)	70*37*20
Weight	36 g

### Profile Drawings



### Module Layout Guides

1 LED



## DC24V - Max in series 14 EA

\*Up-to 14 modules in a single series

